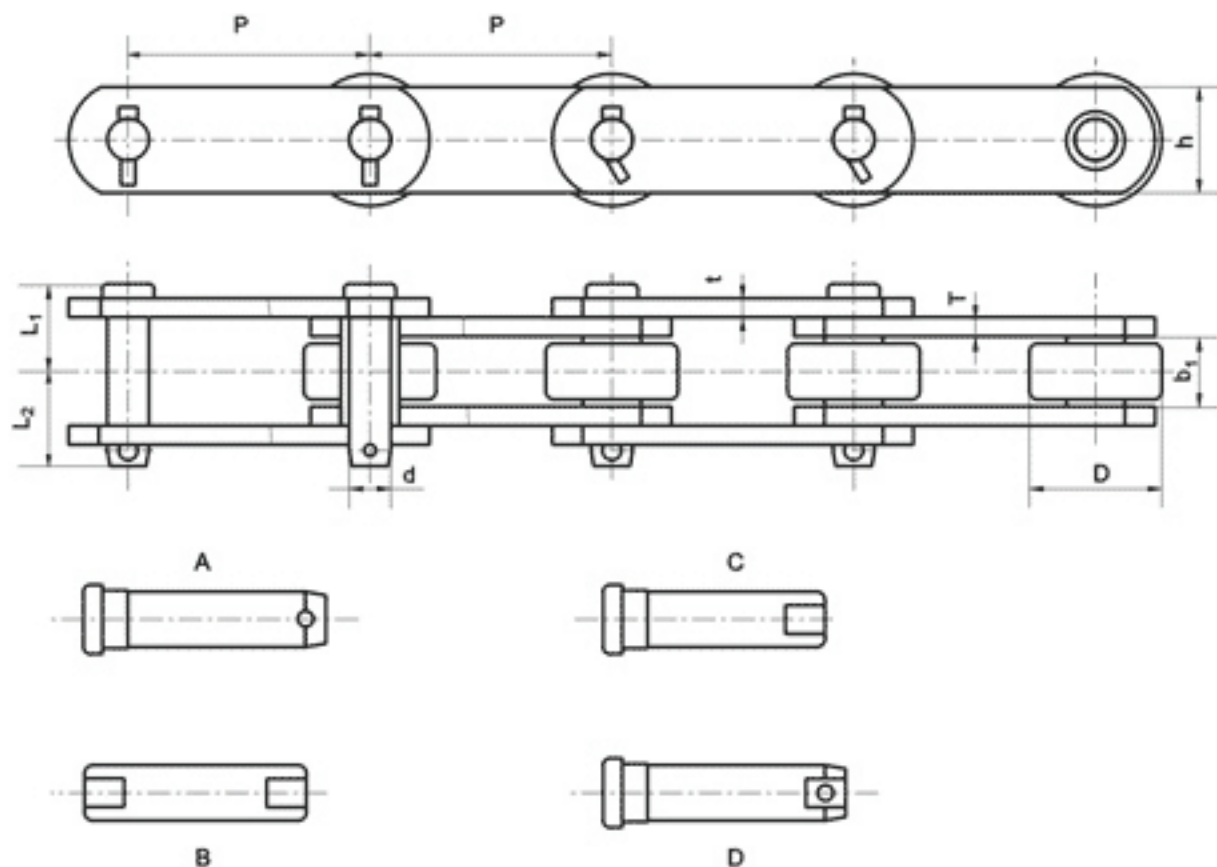


直板型糖机链

Sugar Mill Chains with Straight Plate



链号 Chain No.	节距 Pitch P	内节内宽 Width between inner plates b ₁ (min)	滚子(套筒)外径 Roller (Bush) diameter		销轴 Pin			链板 Plate		最小抗拉 强度 Ultimate tensile strength Q _(min) kN	许用工作 载荷 Rated working load kN	每米净重 Weight per meter q kg/m
			D(max)	d	L ₁	L ₂	Type	h	t/T			
P77.5	77.5	36.7	31.7	16	39.5	47.5	D	38	8	188	18.3	10.3
HS SS39	78.1	37.8	31.75	15.88	41.8	46.3	D	38.1	8	213	20.7	10.4
# P80	80	35	23	16	38.9	44.6	D	40	8	240	29	9.34
HS 0904	101.6	29.3	50.8	17.46	31.1	47.4	A	44.5	8	178.4	21.6	13.16
US101.6	101.6	31.8	57.15	15.88	34.4	38.4	B/C	38.1	6.4	72.3	8.2	11.67
US127	127	38.4	69.85	19	45.1	51.4	B/C	50.8	9.6	180	20.3	19.22
* HS 09060	152.4	37.7	69.85	18.9	45	49.3	A/D	50.8	9.5	250	28.2	17.2
* HS C09063	152.4	38	76.2	23.83	47.1	54.9	A	60.3	10.3	622.3	36.1	21.88
HS C09063S	152.4	38	76.2	23.83	47.1	54.9	D	61.9	10.3	635	36.9	22.2
* HS 1796	152.4	37.8	69.85 76.2 73	22.23	43.9	53.2	D	57.2	9.5	444.5	33.3	18.5 19.5 19.2
* HS C09061	152.4	37.7	69.85	18.9	44.9	50.3	A	57.2	9.5	377.9	28.2	18.74

*链条销轴与套筒有碳钢和不锈钢两种材质。

#链条为套筒链,无滚子。

* Chains: There are two kinds of materials for pin and bushing, which are Carbon steel and stainless steel.

Chain: Bushed chain with no roller.