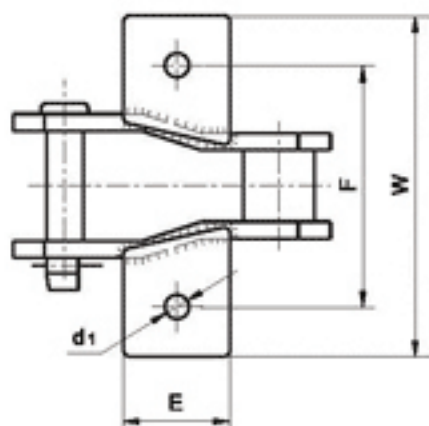
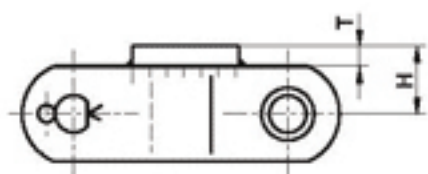


糖机链附件

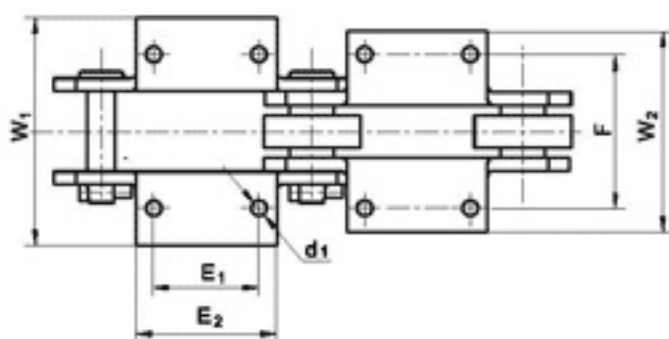
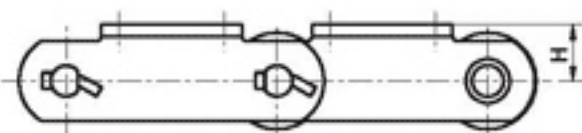
Sugar Mill Chains - Attachments



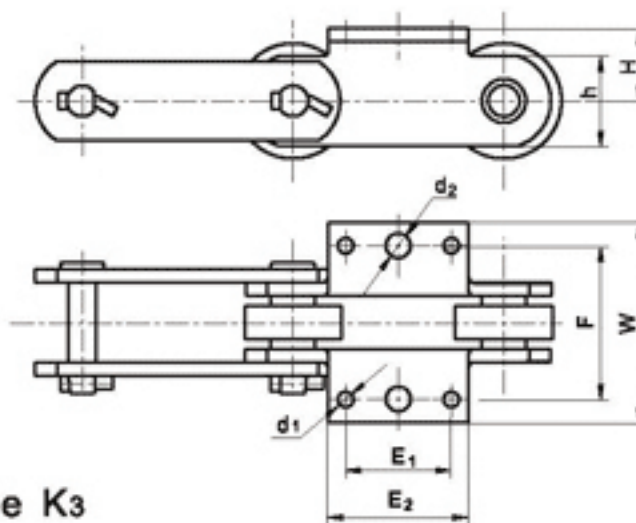
Type K1

| 链号 Chain No. | F mm | W mm | E mm | d mm | T mm | H mm |
|-----------------|---------|---------|---------|---------|---------|---------|
| SS100D | 112.78 | 159 | 50 | 11.2 | 9.5 | 31.75 |

Type K2



| 链号 Chain No. | H mm | E ₁ mm | E ₂ mm | d ₁ mm | F mm | W ₁ mm | W ₂ mm |
|-----------------|---------|----------------------|----------------------|----------------------|---------|----------------------|----------------------|
| HS 09060 | 41.3 | 76.2 | 114.3 | 13 | 111.1 | 171.5 | 151.1 |
| HS 09081 | 41.3 | 76.2 | 114.3 | 13 | 111.1 | 165.1 | 144.7 |
| HS C09063 | 44.5 | 76.2 | 114.3 | 14.3/12.7 | 111.1 | 165.1 | 143.1 |
| HS 1796 | 41.3 | 76.2 | 114.3 | 11.1/13/14 | 111.1 | 165.1 | 144.7 |



Type K3

| 链号 Chain No. | H mm | h mm | E ₁ mm | E ₂ mm | d ₁ mm | d ₂ mm | F mm | W mm |
|-----------------|---------|---------|----------------------|----------------------|----------------------|----------------------|---------|---------|
| US101.6 | 36 | 44.4 | 50.8 | 82.6 | 10.3 | 15 | 101.6 | 133.6 |
| US127 | 39.8 | 50.8 | 50.8 | 82.6 | 10.3 | 13.5 | 103.4 | 139.4 |