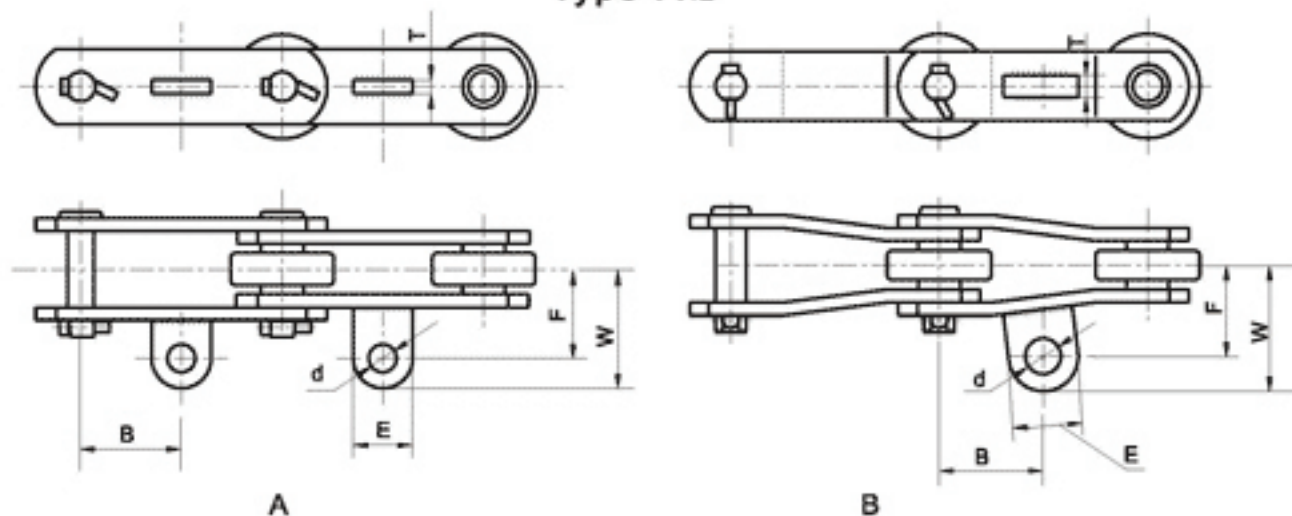
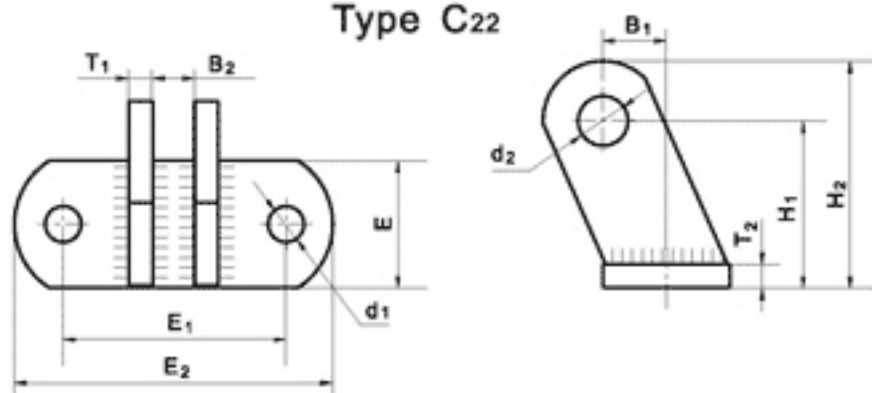


### Type A42



链号 Chain No.	B mm	F mm	W mm	E mm	d mm	T mm	Type
HS 09060	76.2	67	87.4	45	21	15	A
HS 09063	76.2	74.6	99.6	50	20.64	15	B
HS 1796	76.2	67	87.4	45	21	15	A
HS W1796	76.2	66.9	89.5	45	21	15	B
HS D2184	76.2	66.7	92.1 / 88.7	50.8/44	21	15	B
HS D2184B	76.2	66.7	88.7	44	21	15	B
HS 8184	101.6	81.8	107.2	50.8	19.8	15	B
HS C09061	76.2	67	87.4	45	21	15	A

### Type C22



型号 Type	E mm	E <sub>1</sub> mm	E <sub>2</sub> mm	B <sub>1</sub> mm	B <sub>2</sub> mm	T <sub>1</sub> mm	T <sub>2</sub> mm	H <sub>1</sub> mm	H <sub>2</sub> mm	d <sub>1</sub> mm	d <sub>2</sub> mm
1C <sub>22</sub>	50.8	82.6	114.3	22.17	16.7	9.5	9.5	35	55.5	14.3	21
2C <sub>22</sub>	50.8	88.9	127	25.4	16.8	9.5	9.5	66.8	90.6	13/14.2	20.8
3C <sub>22</sub>	50.8	88.9	127	25.4	17.8	9.5	9.5	66.8	90.6	14.2	16.8
4C <sub>22</sub>	50.8	88.9	127	25.4	16.8	9.5	9.5	66.8	90.6	14.2	19.8