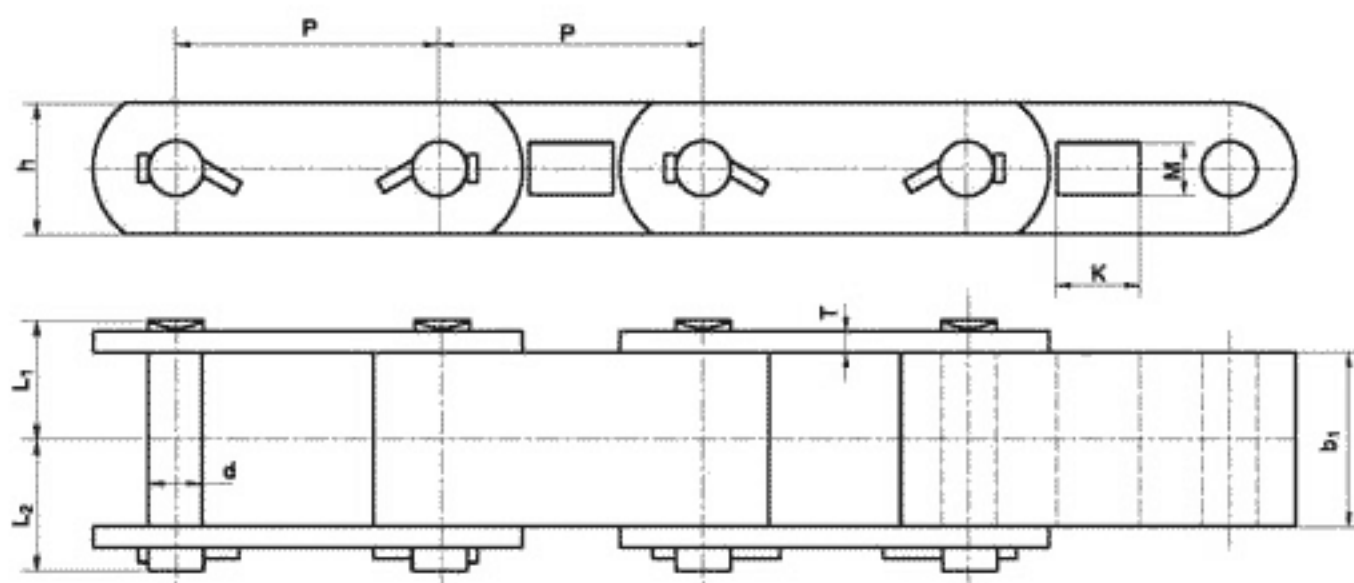
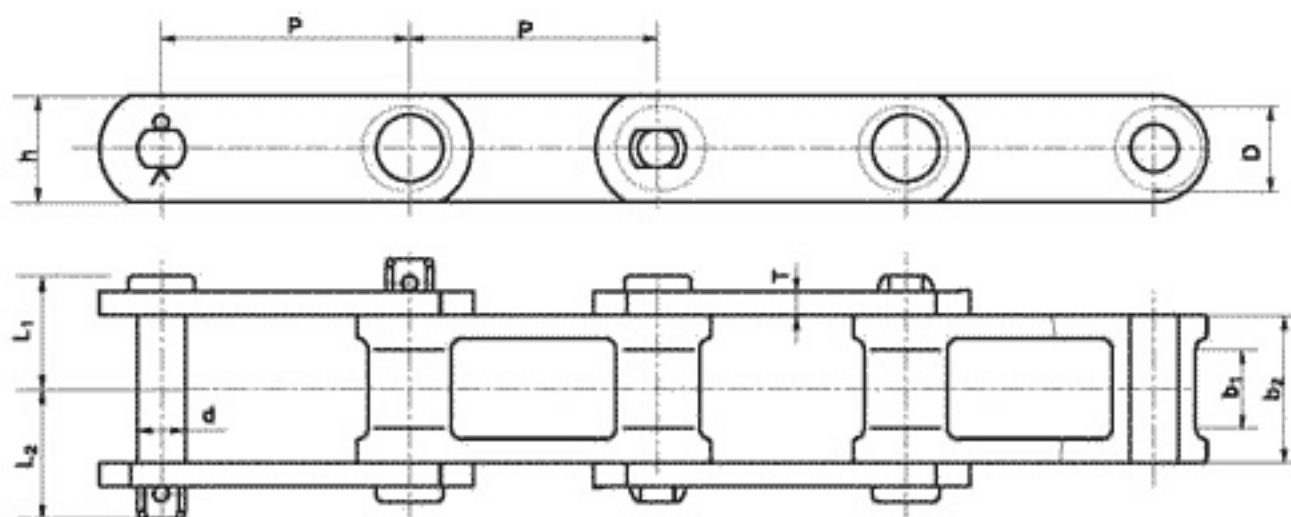


铸造链

Cast Chains



| 链号 Chain No. | 节距 Pitch P mm | 铸造链节 Cast Link | | | 销轴 Pin | | | 链板 Sidebar | | 最小抗拉强度 Ultimate tensile strength Qmin kN | 每米净重 Weight per meter q kg/m |
|--------------------|------------------------|-------------------|---------|---------|-----------|-------------|-------------|---------------|---------|---|---------------------------------------|
| | | $b_1(\max)$ mm | M mm | K mm | d mm | L_1 mm | L_2 mm | T mm | h mm | | |
| C275 | 69.65 | 31.5 | 14.3 | 33.34 | 15.88 | 27.3 | 35 | 8 | 31.8 | 88.9 | 7.7 |



| 链号 Chain No. | 节距 Pitch P mm | 铸造链节 Cast Link | | | 销轴 Pin | | | 链板 Sidebar | | 最小抗拉强度 Ultimate tensile strength Qmin kN | 每米净重 Weight per meter q kg/m |
|--------------------|------------------------|-------------------|-------------------|--------------|-----------|-------------|-------------|---------------|---------|---|---------------------------------------|
| | | $b_1(\max)$ mm | $b_2(\max)$ mm | D(max) mm | d mm | L_1 mm | L_2 mm | T mm | h mm | | |
| C188 | 66.27 | 23.9 | 40.1 | 22.23 | 12.7 | 30.7 | 34.1 | 6.4 | 28.6 | 63.7 | 5.27 |