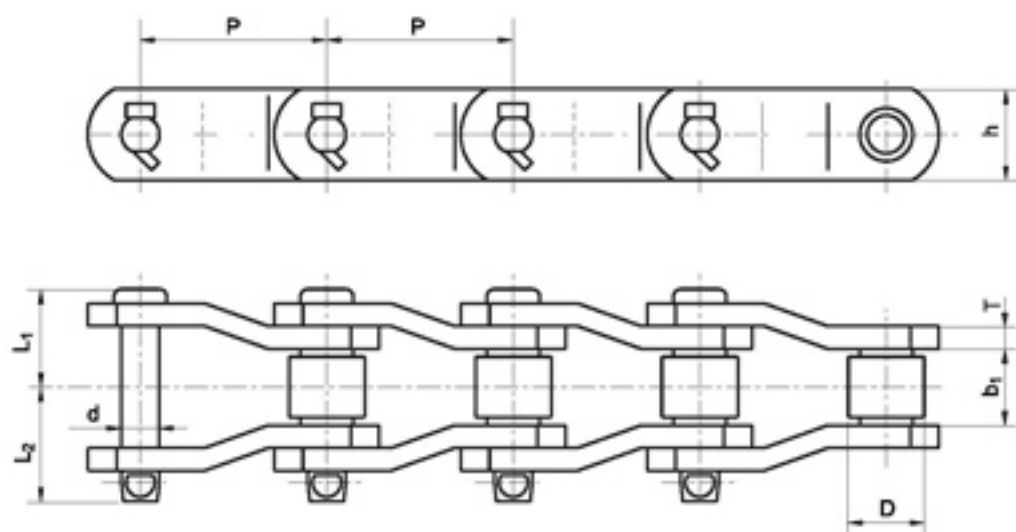


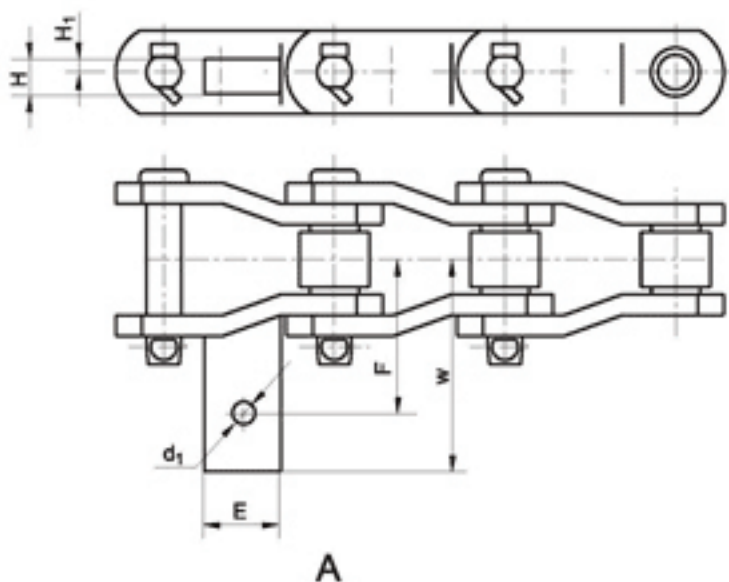
铺路机链

Paver Chains

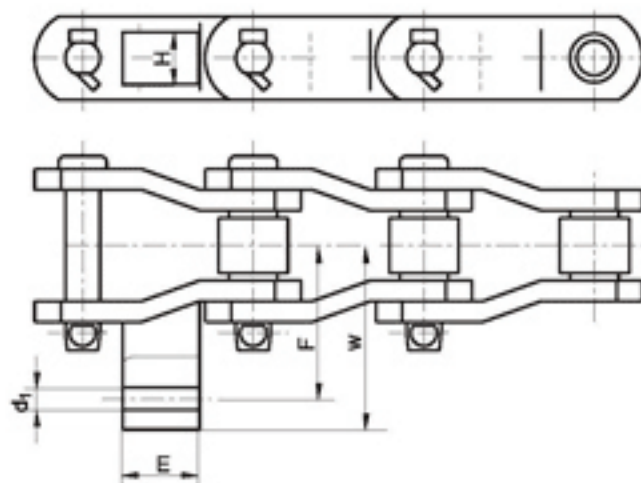


链号 Chain No.	节距 Pitch P mm	内节内宽 Width between sidebars b_1 (min) mm	滚子 外径 Roller diameter D(max) mm	销轴 Pin			链板 Sidebar		最小抗拉 强度 Ultimate tensile strength Qmin kN	许用工作 载荷 Rated working load kN
				d mm	L_1 mm	L_2 mm	h mm	T mm		
SS40	78.1	31.4	31.75	15.88	41.7	47.5	38.1	9.5	265	25.2
B5046	78.1	37.9	31.75	15.88	41.9	46.2	38.1	8	213.6	20.3

Type A₁



A



B

链号 Chain No.	F mm	W mm	d_1 mm	E mm	H_1 mm	H mm	Type
SS40	70	96.8	10.3	38.1	6	16	A
B5046	62.1	75	13.6	43	/	25.4	B