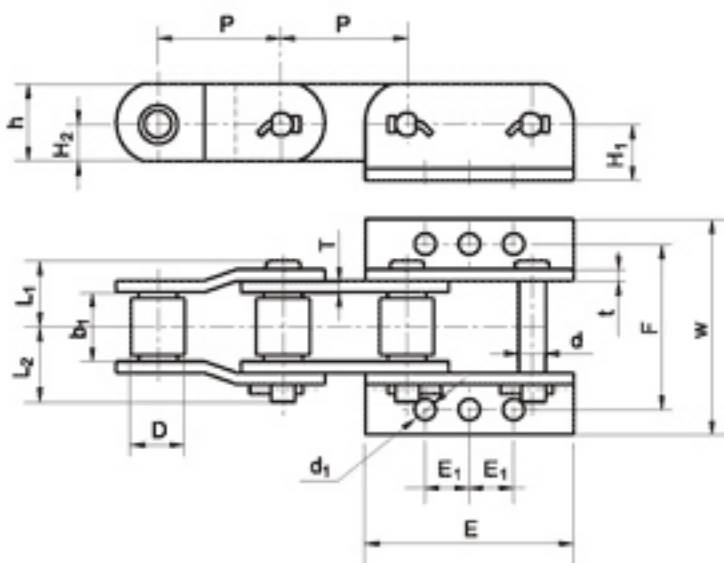


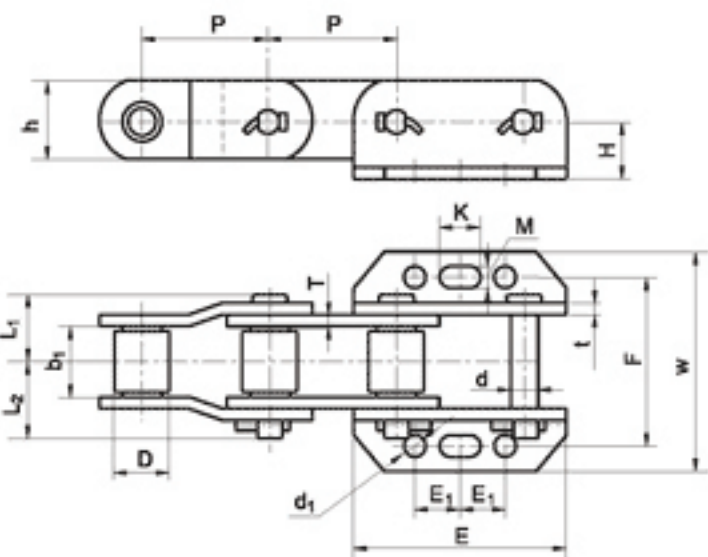
铺路机链

Paver Chains



链号 Chain No.	F mm	W mm	d ₁ mm	E ₁ mm	E mm	H ₁ mm	H ₂ mm
RMC16090	138.5	178.1	17.5	36.5	171.5	46.04	30.16
B9503-BK3	111.25	142.35	12	19	66	25.4	19.05
FCM-11336	134.9	180.3	17.5	36.5	170.6	47.6	31.75

链号 Chain No.	节距 Pitch P mm	内节内宽 Width between sidebars b ₁ (min) mm	滚子 外径 Roller diameter D(max) mm	销轴 Pin			链板 Sidebar		最小抗拉 强度 Ultimate tensile strength Q _{min} kN	许用工作 载荷 Rated working load kN
				d mm	L ₁ mm	L ₂ mm	h mm	t/T mm		
RMC16090	103.2	55.6	44.45	22.23	54.6	62.1	63.5	9.5	400	44
B9503-BK3	76.71	31	29	14.12	33.7	40.9	38.1	6.4	155	16.3
FCM-11336	102.6	55.3	44.5	22.23	54.5	61.6	63.5	9.5	443.4	44.3



F mm	W mm	d ₁ mm	M mm	K mm	E ₁ mm	E mm	H mm
136.65	190.5	17.5	17.5	33.3	36.6	171.5	46

链号 Chain No.	节距 Pitch P mm	内节内宽 Width between sidebars b ₁ (min) mm	滚子 外径 Roller diameter D(max) mm	销轴 Pin			链板 Sidebar		最小抗拉 强度 Ultimate tensile strength Q _{min} kN	许用工作 载荷 Rated working load kN
				d mm	L ₁ mm	L ₂ mm	h mm	t/T mm		
HS302-15	103.2	55.6	44.45	22.23	54.6	62.1	66.5	9.5	533.4	56