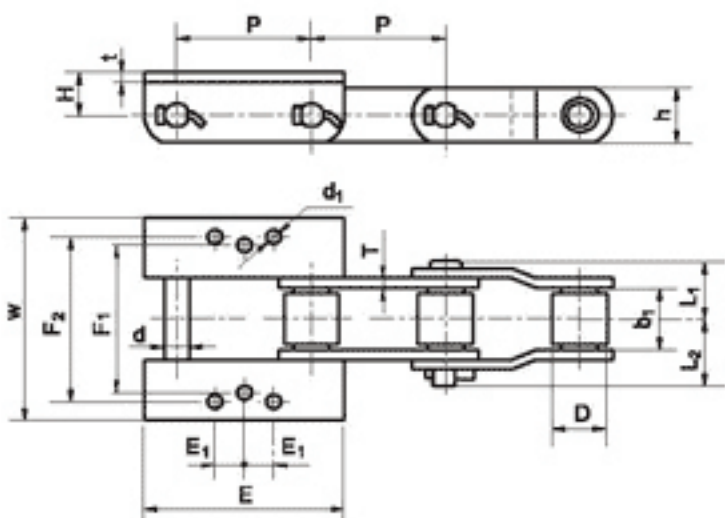


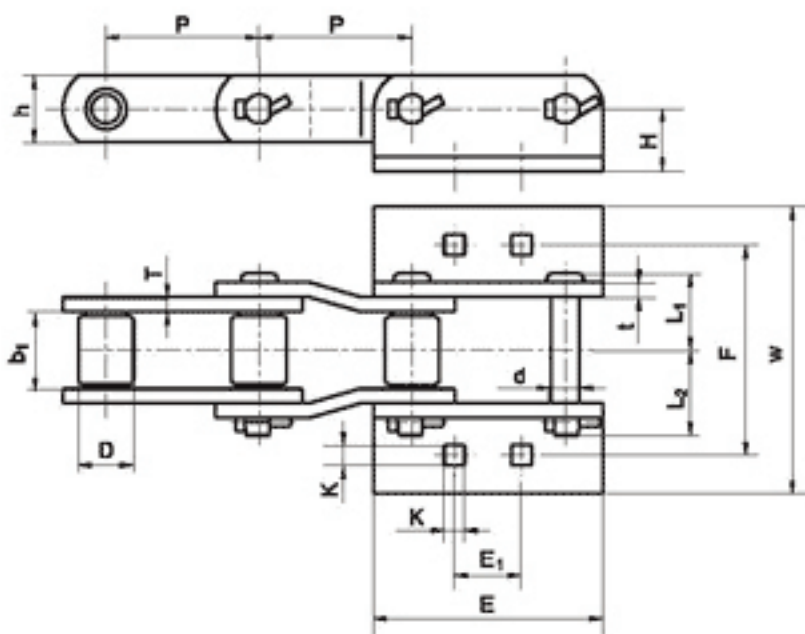
铺路机链

Paver Chains



链号 Chain No.	F_1 mm	F_2 mm	W mm	E mm	E_1 mm	d_1 mm	H mm
RMC15127	119.1	134.9	165.1	152.4	22.25	11.9	38.1
HS4116SP	120.65	134.92	177.8	155.6	22.25	11.1	41.3

链号 Chain No.	节距 Pitch P mm	内节内宽 Width between sidebars b_1 (min) mm	滚子 外径 Roller diameter D (max) mm	销轴 Pin			链板 Sidebar		最小抗拉 强度 Ultimate tensile strength Q_{min} kN	许用工作 载荷 Rated working load kN
				d mm	L_1 mm	L_2 mm	h mm	l/T mm		
RMC15127	101.6	50.8	41.25	19.05	46.1	54.9	44.5	8	266.8	22.7
HS4116SP	104.55	50.4	41.28	19.05	50.9	59.1	44.5	9.5	267	25.4



链号 Chain No.	F mm	W mm	K mm	E_1 mm	E mm	H mm
RMC15619	139.7	190.5	13.5	44.45	152.4	41.3
C3952	139.7	177.8	13.5	44.45	152.4	41.3

链号 Chain No.	节距 Pitch P mm	内节内宽 Width between sidebars b_1 (min) mm	滚子 外径 Roller diameter D (max) mm	销轴 Pin			链板 Sidebar		最小抗拉 强度 Ultimate tensile strength Q_{min} kN	许用工作 载荷 Rated working load kN
				d mm	L_1 mm	L_2 mm	h mm	l/T mm		
RMC15619	101.6	50.4	36.53	19.05	50.9	57.1	44.5	9.5	280	23.8
C3952	101.6	50.4	36.53	19.05	50.9	59.1	44.5	9.5	280	23.8