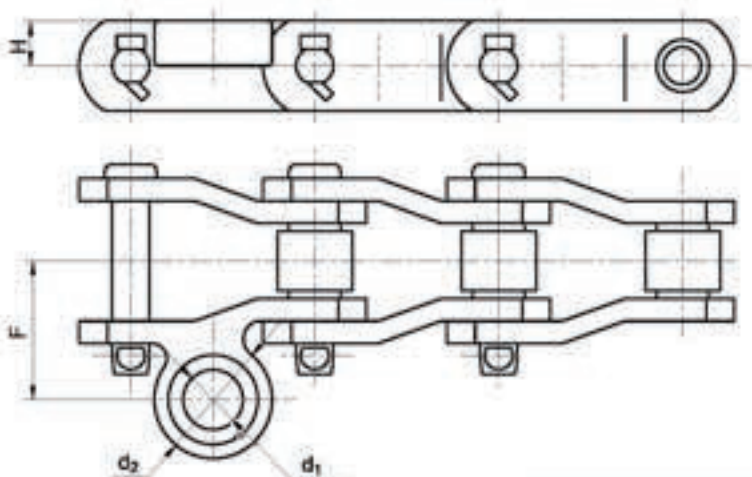


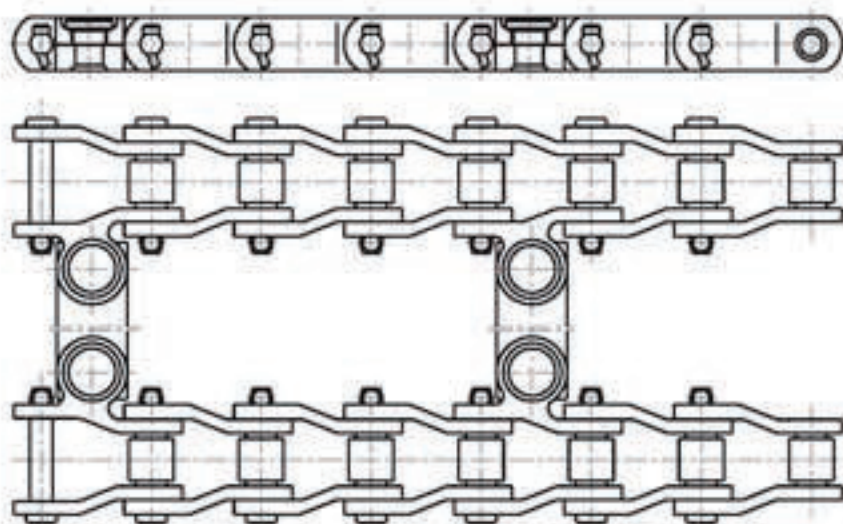
铺路机链

Paver Chains



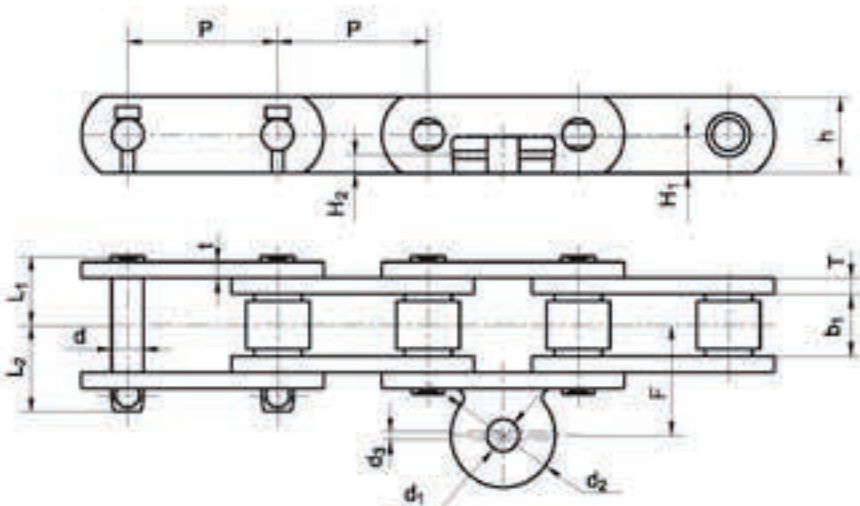
SS40SL

链号 Chain No.	F mm	d ₁ mm	d ₂ mm	H mm
SS40	58.7	25.4	50	19



HR7513-SL

F mm	d ₁ mm	d ₂ mm	d ₃ mm	H ₁ mm	H ₂ mm
55	16	52	4	18	9



链号 Chain No.	节距 Pitch P mm	内节内宽 Width between sidebars b ₁ (min) mm	滚子 外径 Roller diameter D(max) mm	销轴 Pin			链板 Sidebar		最小抗拉 强度 Ultimate tensile strength Q _{min} kN	许用工作载荷 Rated working load kN
				d mm	L ₁ mm	L ₂ mm	h mm	t/T mm		
HR7513-S-SL	75	31.4	31.75	15.88	35.7	42.8	38.1	8	127	10.8