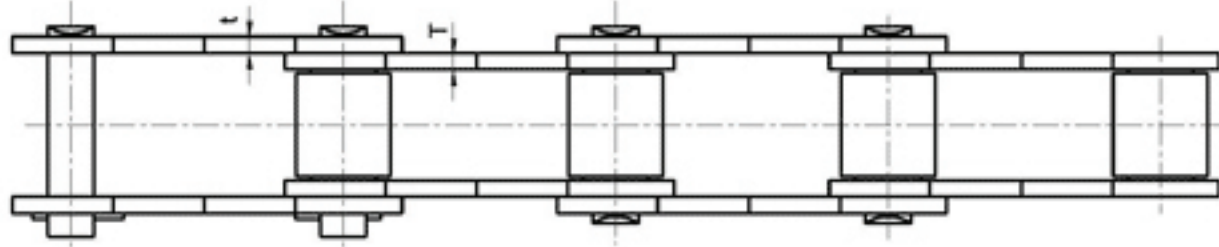
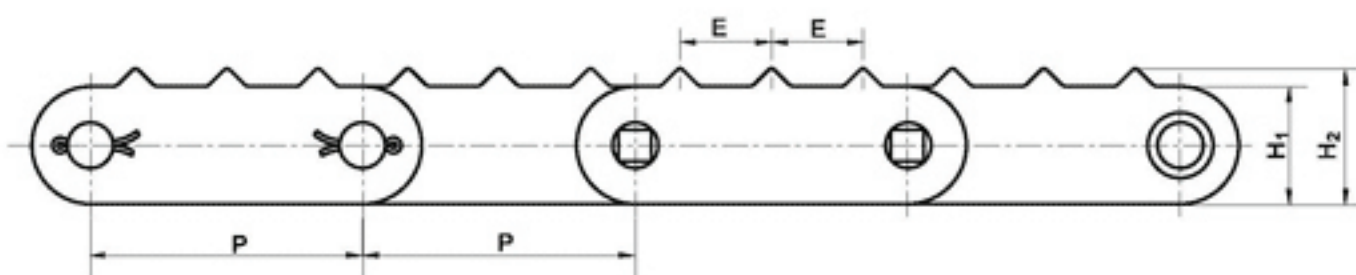
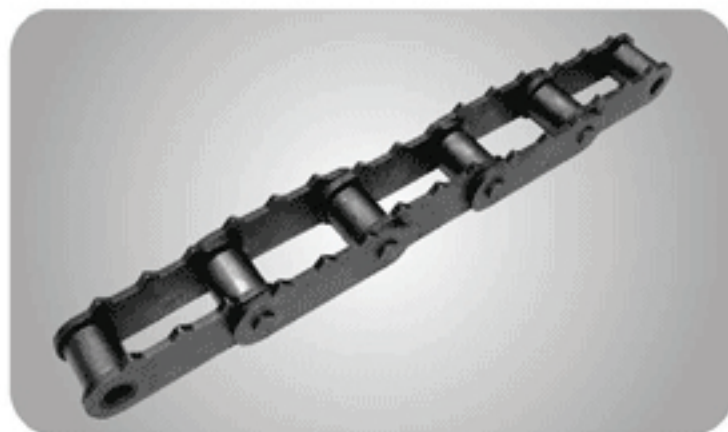
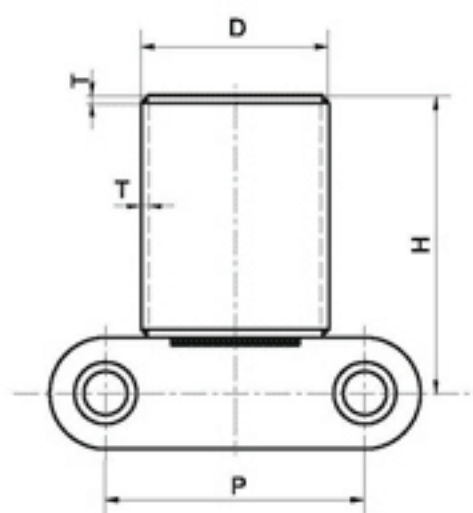


木材输送链 · 81X系列及附件

Lumber Conveyor Chains · 81X Series & Attachments



| 链号 Chain No. | P mm | E mm | t/T mm | H ₁ mm | H ₂ mm |
|-----------------|---------|---------|-----------|----------------------|----------------------|
| 81X-STD | 66.27 | 22.23 | 4 | 28.6 | 33.35 |



| 链号 Chain No. | P mm | D mm | H mm | T mm |
|-----------------|---------|---------|---------|---------|
| 81X-RS · 12P | 66.27 | 48 | 114.3 | 2 |

