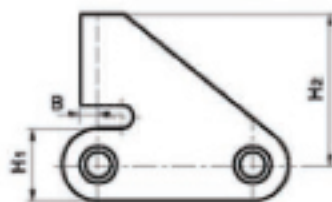
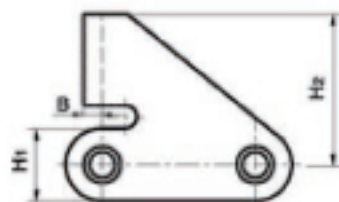
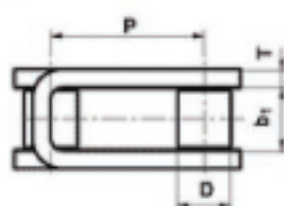
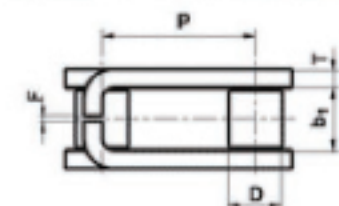


木材输送链 · 81X系列及配件

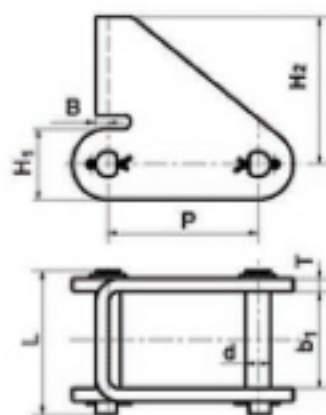
Lumber Conveyor Chains · 81X Series & Attachments



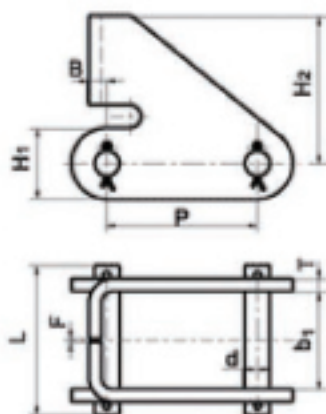
I

II

链号 Chain No.	P mm	b ₁ (min) mm	B mm	D(max) mm	F mm	H ₁ mm	H ₂ mm	T mm	Type
81X · PUSHER	66.27	26.99	5.5	23.02	1.5	28.6	65.1	4	I
81-XH PUSHER	66.27	26.99	8	23.02	1.5	31.4	65.1	8	I
81X · PUSHER-B	66.27	26.99	5.5	23.02	/	28.6	65.1	4	II



链号 Chain No.	P mm	b ₁ (min) mm	B mm	d mm	H ₁ mm	H ₂ mm	T mm	L mm
81X · PUSHER-A	66.27	35.6	5.5	11.11	28.6	65.1	4	53.9



链号 Chain No.	P mm	b ₁ (min) mm	B mm	d mm	F mm	H ₁ mm	H ₂ mm	T mm	L mm
81-XH PUSHER	66.27	43.6	8	11.1	1.5	31.4	65.1	5.6	66.8