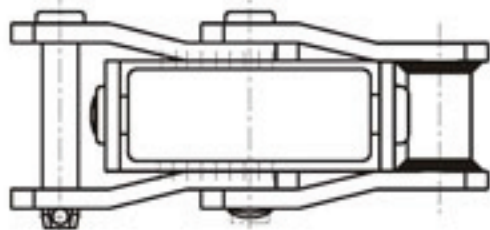
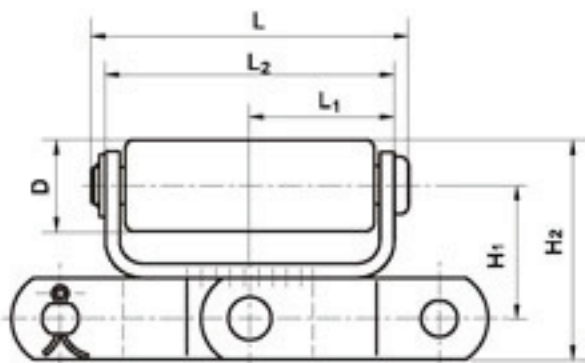
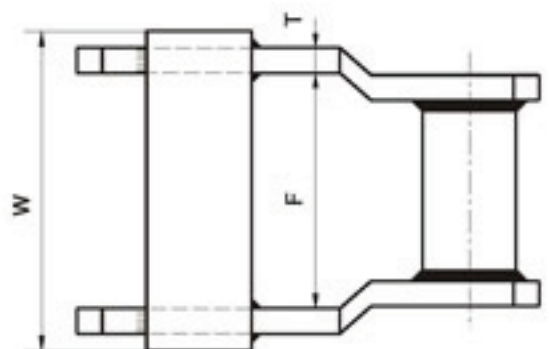
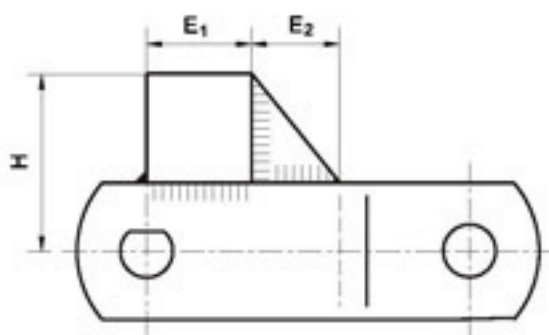


# 窄系列焊接弯板链附件

## Narrow Series Welded Steel Chains-Attachments



链号	$E_1$	$E_2$	F(min)	H	T	W
Chain No.	mm	mm	mm	mm	mm	mm
FWHX150	50	42	111.15	84.5	12	152



链号	D	$H_1$	$H_2$	L	$L_1$	$L_2$
Chain No.	mm	mm	mm	mm	mm	mm
DWR78-F20	32	46.6	78.5	121	55.5	111