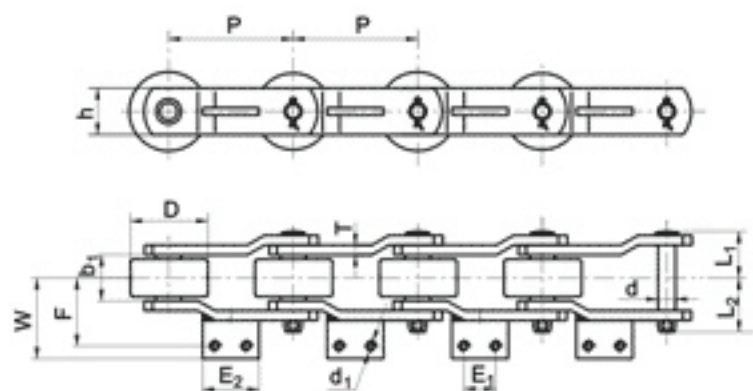


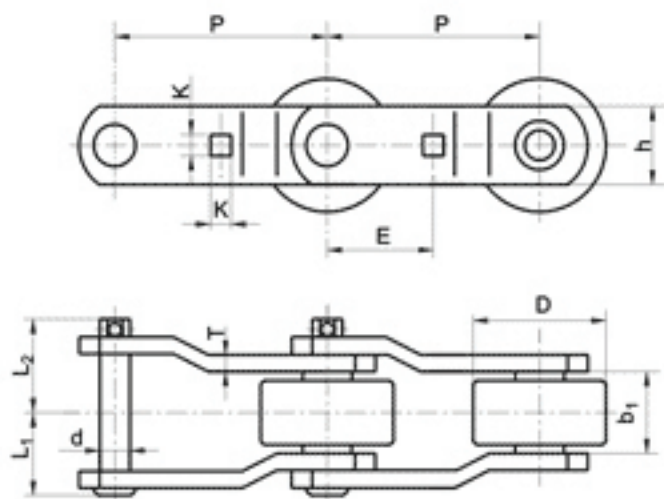
啤酒灌装线滚子输送链 · 洗瓶机链

Beer Canned Line Roller Conveyor Chains · Bottle Washer Chains



链号 Chain No.	F mm	E ₁ mm	E ₂ mm	W mm	d ₁ mm
CW-127A	49.1	50	74	60.1	M10
CW-127B	48.6	40	60	60.6	M10

链号 Chain No.	节距 Pitch P mm	窄端内宽 Inside width at narrow end b ₁ (min) mm	滚子 外径 Roller diameter D(max) mm	销轴 Pin			链板 Plate		最小抗拉 强度 Ultimate tensile strength Q(min) kN	每米净重 Weight per meter q kg/m
				d mm	L ₁ mm	L ₂ mm	h mm	T mm		
CW-127A	127	24	63.5	14.32	32.2	38.8	37.5	9	150	12.6
CW-127B	127	24	63.5	14.32	32.2	38.8	37.5	9	150	12.4



E mm	K mm
54	11.1

链号 Chain No.	节距 Pitch P mm	窄端内宽 Inside width at narrow end b ₁ (min) mm	滚子 外径 Roller diameter D(max) mm	销轴 Pin			链板 Plate		最小抗拉 强度 Ultimate tensile strength Q(min) kN	每米净重 Weight per meter q kg/m
				d mm	L ₁ mm	L ₂ mm	h mm	T mm		
CW-107.95	107.95	31.4	63.5	15.65	35.1	37.9	44	6.4	137.8	13.32