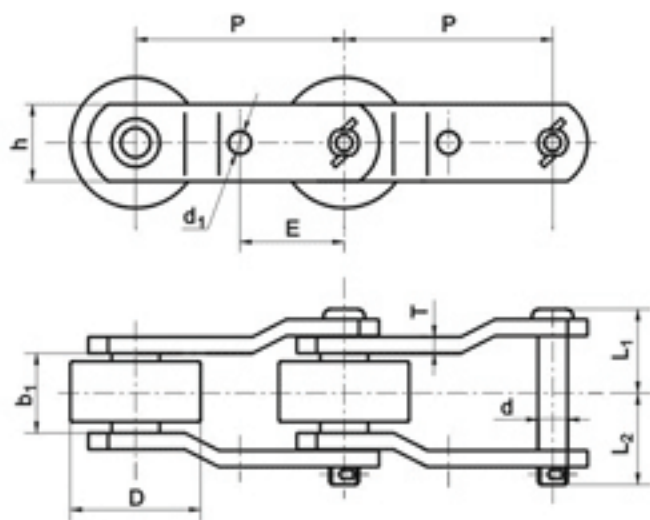


# 啤酒灌装线滚子输送链 · 洗瓶机链

## Beer Canned Line Roller Conveyor Chains · Bottle Washer Chains



链号 Chain No.	E mm	d <sub>1</sub> mm
CW-101.6	50.8	11
CW-101.6B	50.8	11

链号 Chain No.	节距 Pitch P mm	窄端内宽 Inside width at narrow end b <sub>1</sub> (min) mm	滚子外径 Roller diameter D (max) mm	销轴 Pin			链板 Plate		最小抗拉 强度 Ultimate tensile strength Q (min) kN	每米净重 Weight per meter q kg/m
				d mm	L <sub>1</sub> mm	L <sub>2</sub> mm	h mm	T mm		
CW-101.6	101.6	24	63.5	14.32	34	37	37.5	8	112	12
CW-101.6B	101.6	24	63.5	14.32	35.1	39.5	38.1	8	206	12.9