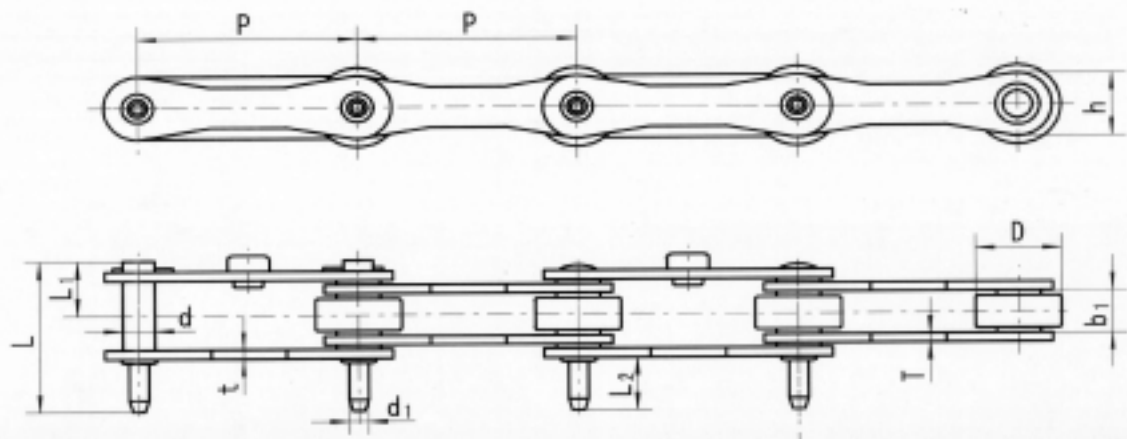
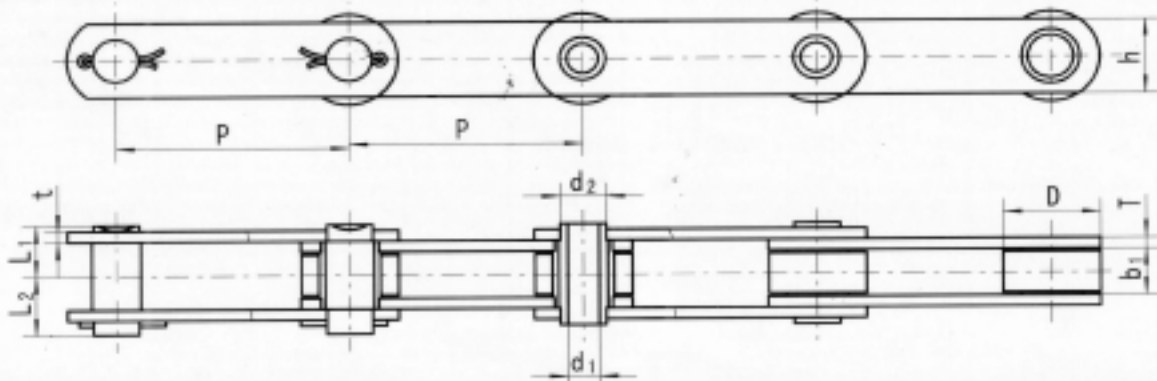


冷饮食品链

Cold Drink & Food Processing Chains



链号 Chain No.	节距 Pitch P mm	内节内宽 Width between inner plates $b_1(\min)$ mm	滚子外径 Roller diameter D(max) mm	销轴 Pin					链板 Plate		最小抗 拉强度 Ultimate tensile strength Q(min) kN
				d	d_1	L_1	L_2	L	h	t/T	
				mm	mm	mm	mm	mm	mm	mm	
P125C-D*	125	15	30	12	8	19.9	21.5	56.8	28	3.1/4	32



链号 Chain No.	节距 Pitch P mm	内节内宽 Width between inner plates $b_1(\min)$ mm	滚子外径 Roller diameter D(max) mm	销轴 Pin				链板 Plate		最小抗 拉强度 Ultimate tensile strength Q(min) kN
				d_1	d_2	L_1	L_2	h	t/T	
				(min)	mm	mm	mm	mm	mm	
C76.2	76.2	16	31.8	10.2	15	18.2	24.4	26.2	3.8	41
C76.2A	76.2	15.9	31.8	12.2	15	18.2	24.4	26.2	3.8	41

注：带 * 链条滚子分工程塑料和不锈钢两种材质。

Note: For the chains with*, there are two kinds of materials for their rollers, engineering plastic and stainless steel.