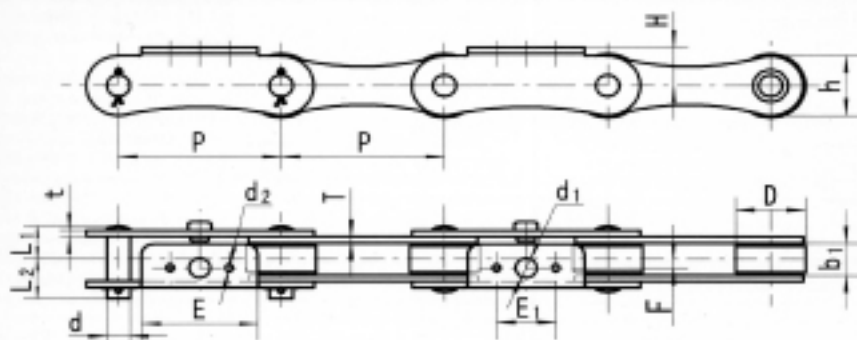


$E_1$	E	F	W	$d_1$	$d_2$	H	$H_1$	$H_2$
mm	mm	mm	mm	mm	mm	mm	mm	mm
35	50	24.5	34	5.5	M6	18	27	13

链号 Chain No.	节距 Pitch P mm	内节内宽 Width between inner plates $b_1(\min)$ mm	滚子外径 Roller diameter D(max) mm	销轴 Pin			链板 Plate		最小抗 拉强度 Ultimate tensile strength Q(min) kN
				d mm	$L_1$ mm	$L_2$ mm	h mm	t/T mm	
CF70-SK2	70	15	30	10	16.2	19.4	28	3	40



$E_1$	E	F	$d_1$	$d_2$	H
mm	mm	mm	mm	mm	mm
25.4	50	4.1	9.1	3.3	20

链号 Chain No.	节距 Pitch P mm	内节内宽 Width between inner plates $b_1(\min)$ mm	滚子外径 Roller diameter D(max) mm	销轴 Pin			链板 Plate		最小抗 拉强度 Ultimate tensile strength Q(min) kN
				d mm	$L_1$ mm	$L_2$ mm	h mm	t/T mm	
CF70-SK3	70	16	30	10	17.6	20.8	28	3	40