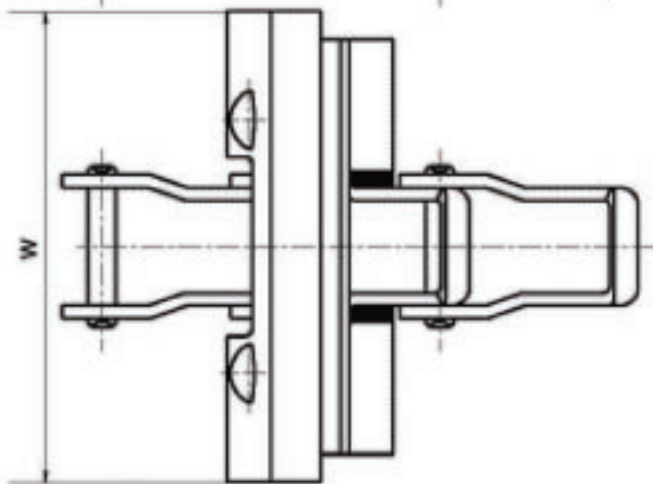
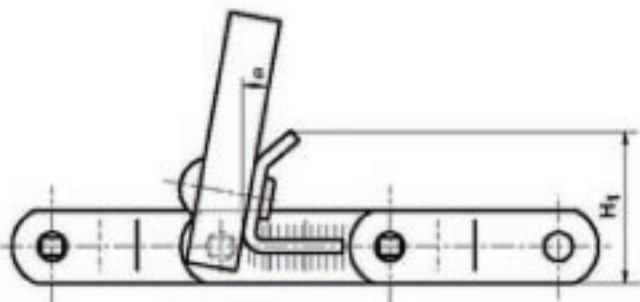
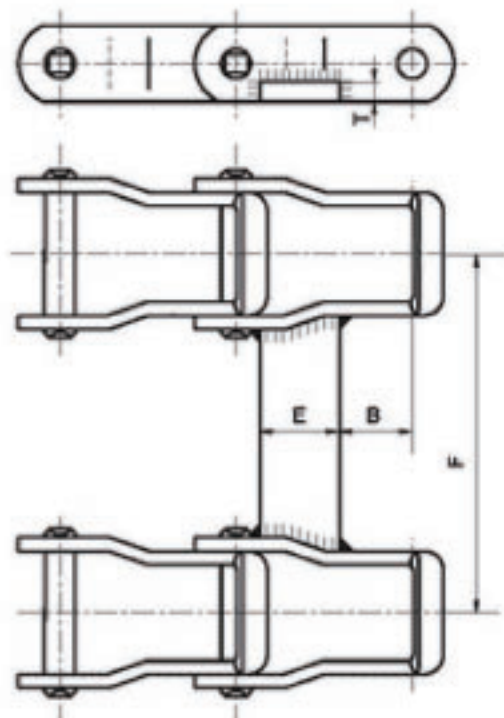


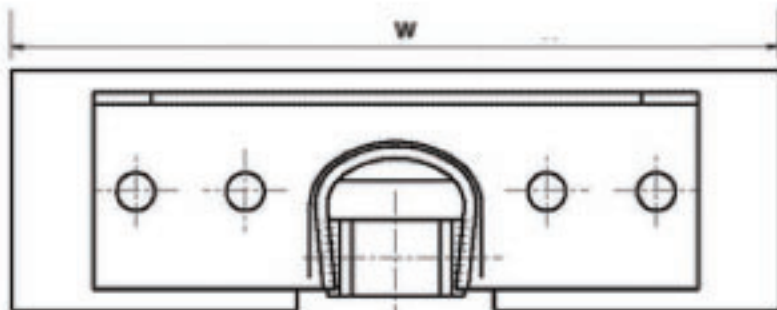
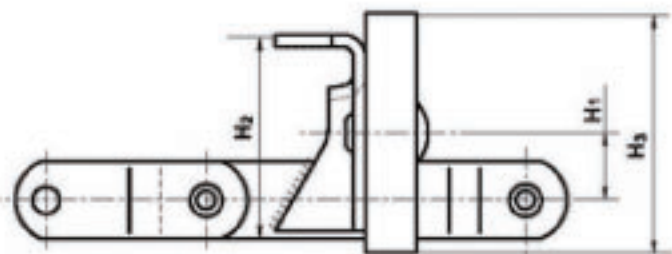
钢制销合链附件

Steel Pintle Chains - Attachments

Type	链号 Chain No.	F mm	E mm	B mm	T mm
A5 · N ₁	662	260.4	19.05	17.5	4.8
A5 · N ₂	662	311.2	19.05	17.5	4.8
A5 · N ₄	662	266.7	25.4	12	6.4
A5 · N ₁	667X	514.4	38.1	14.05	6.4
A5 · N ₂	667X	539.8	38.1	17.05	9.5
A5 · N ₃	667X	755.7	38.1	17.05	12.7
A5 · N ₄	667X	762	38.1	17.05	12.7



Type	链号 Chain No.	W mm	H ₁ mm	α mm
SHB	662	285.8	38.1	10°



Type	链号 Chain No.	W mm	H ₁ mm	H ₂ mm	H ₃ mm
F12M	662H	203.2	17.8	54	63.5
F12M	667H	270	16.9	54	63.5