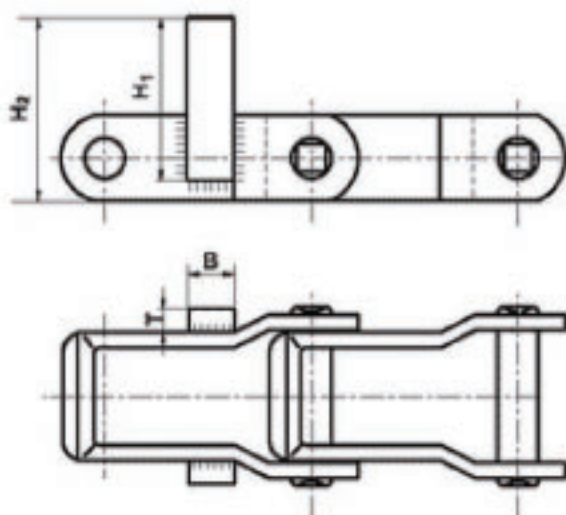
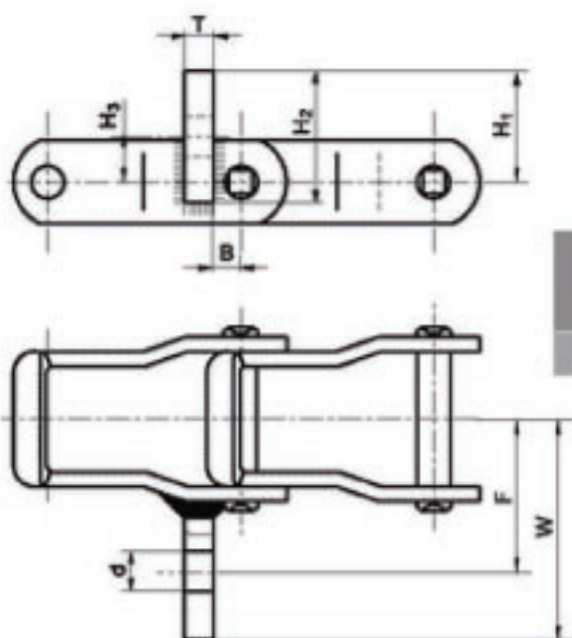


钢制销合链附件

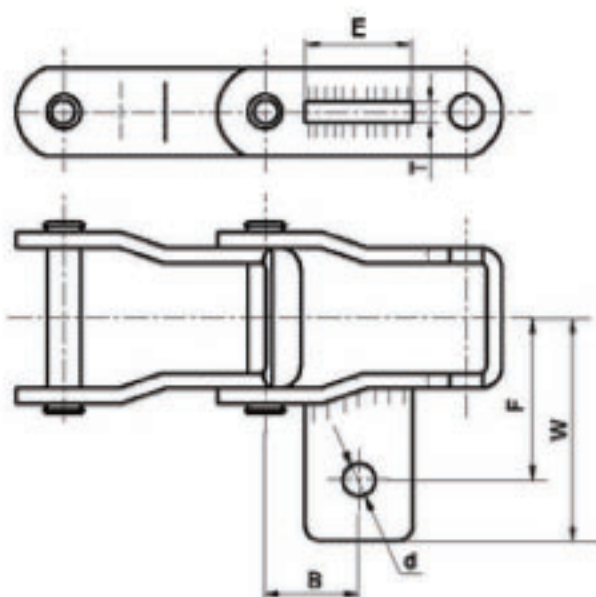
Steel Pintle Chains - Attachments



Type	链号 Chain No.	H ₁ mm	H ₂ mm	B mm	T mm
HB1	667X	45	50.8	12.7	6.4



Type	链号 Chain No.	H ₁ mm	H ₂ mm	H ₃ mm	B mm	F mm	W mm	d mm	T mm
ASSY	662	24.2	28.6	9.9	6	33.35	48.25	8.7	6.4



Type	链号 Chain No.	F mm	d mm	W mm	B mm	E mm	T mm
AS	662	34.9	6.8	47.6	19.5	22	4.5
AS	662H	34.9	6.8	47.6	19.5	22	4.5
ASS	667X	51.6	10	68	28.37	28.5	8
AS	667H	51.6	8.4	66	29.3	28.6	6.4
ASS	D667K	51.6	11.5	68.3	24.7	31.8	9.5
AS	667J	51.6	8.4	68	28.47	28.5	8
AG	D667K	65	11.5	85	24.7	31.8	9.5
AS	667XH	51.6	9.9	69.85	24.7	31.8	9.5